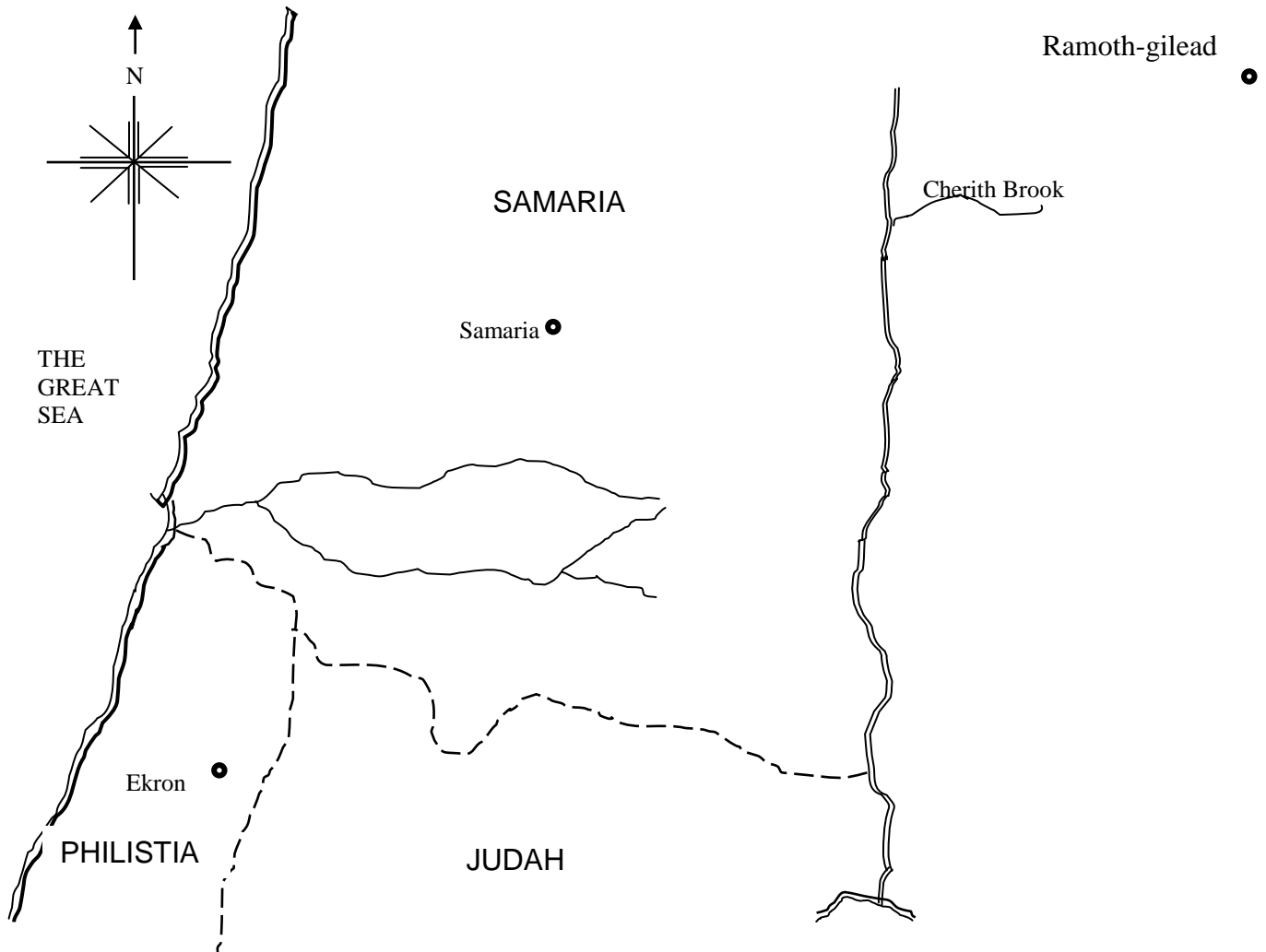


Elijah and Elisha

#11, Ahab's replacement – II Kings 1:1-18

It was a good day to be a dog! It happened that Ahab and Jehoshaphat the king of Judah, formed an alliance and went to war with Syria (Aram). The battlefield was at Ramoth-Gilead. Ahab had disguised himself as he went into battle but Jehoshaphat wore his royal robes. "Nevertheless", a random shot dropped Ahab in his chariot.



Elijah and Elisha

#11, Ahab's replacement – II Kings 1:1-18

I Kings 22:35-38 “The battle raged that day, and the king was propped up in his chariot in front of the Arameans, and died at evening, and the blood from the wound ran into the bottom of the chariot. 36 Then a cry passed throughout the army close to sunset, saying, “Every man to his city and every man to his country.”

37 So the king died and was brought to Samaria, and they buried the king in Samaria. 38 They washed the chariot by the pool of Samaria, and the dogs licked up his blood (now the harlots bathed themselves there), according to the word of the Lord which He spoke.”



1 Now Moab rebelled against Israel after the death of Ahab. 2 And Ahaziah fell through the lattice in his upper chamber which was in Samaria, and became ill. So he sent messengers and said to them, “Go, inquire of Baal-zebub, (lord of the flies) the god of Ekron, whether I will recover from this sickness.” 3 But the angel of the Lord said to Elijah the Tishbite, “Arise, go up to meet the messengers of the king of Samaria and say to them, ‘Is it because there is no God in Israel that you are going to inquire of Baal-zebub, the god of Ekron?’ 4 “Now therefore thus says the Lord, ‘You shall not come down from the bed where you have gone up, but you shall surely die.’” Then Elijah departed.

5 When the messengers returned to him he said to them, “Why have you returned?”

[1.] I Ki 22:35-38, the king died, **Before we get started, do you really feel Ahab was killed with a random shot or was it something else?**

[2.] Question [1.] Depending on your answer, do you believe that in the time you live there are just random shots or is there an unseen hand guiding each detail of your life?

[3.] v:1-2, Ahaziah, **Who was Ahaziah and who was Baal-zebub?**

[4.] v:3-4, thus says the Lord, **What was the message that Elijah sent to Ahaziah?**

[5.] v:3-4 again, through the lattice, **Where was the wounded king?**

[6.] v:5, Why have you returned, **Why would the king expected the messengers to take longer to make the inquiry?**

Elijah and Elisha

#11, Ahab's replacement – II Kings 1:1-18

6 They said to him, "A man came up to meet us and said to us, 'Go, return to the king who sent you and say to him, "Thus says the Lord, 'Is it because there is no God in Israel that you are sending to inquire of Baal-zebub, the god of Ekron? Therefore you shall not come down from the bed where you have gone up, but shall surely die.
7 He said to them, "What kind of man was he who came up to meet you and spoke these words to you?"
8 They answered him, "He was a hairy man with a leather girdle bound about his loins." And he said, "It is Elijah the Tishbite."

9 Then the king sent to him a captain of fifty with his fifty. And he went up to him, and behold, he was sitting on the top of the hill. And he said to him, "O man of God, the king says, 'Come down.'"
10 Elijah replied to the captain of fifty, "If I am a man of God, let fire come down from heaven and consume you and your fifty." Then fire came down from heaven and consumed him and his fifty.

11 So he again sent to him another captain of fifty with his fifty. And he said to him, "O man of God, thus says the king, 'Come down quickly.'"
12 Elijah replied to them, "If I am a man of God, let fire come down from heaven and consume you and your fifty." Then the fire of God came down from heaven and consumed him and his fifty.

13 So he again sent the captain of a third fifty with his fifty. When the third captain of fifty went up, he came and bowed down on his knees before Elijah, and begged him and said to him, "O man of God, please let my life and the lives of these fifty servants of yours be precious in your sight.

[7.] v:6, you shall not, **Elijah gave the reason why Ahaziah would not survive. What was it?**

[8.] v:7-8, It is Elijah, **The king rightly identified Elijah. What do you think gave it away?**

a) Hairy man etc.

b.) The message that was spoken.

c) His accent.

[9.] v:9-10, O man of God, **How did Elijah take care of this threat?**

[10.] v:11-12, So he again sent, **What might the next group have thought, when they saw the remains of the previous group?**

[11.] v:13, the third captain of fifty, **What do you think Ahaziah thought of his soldiers?**

[12.] v:13 again, fifty servants of yours, **If How did this captain show that he valued human life?**

Elijah and Elisha

#11, Ahab's replacement – II Kings 1:1-18

14 "Behold fire came down from heaven and consumed the first two captains of fifty with their fifties; but now let my life be precious in your sight."

15 The angel of the Lord said to Elijah, "Go down with him; do not be afraid of him." So he arose and went down with him to the king.

16 Then he said to him, "Thus says the Lord, 'Because you have sent messengers to inquire of Baal-zebub, the god of Ekron – is it because there is no God in Israel to inquire of His word? – therefore you shall not come down from the bed where you have gone up, but shall surely die.'"

[13.] v:14, Behold fire came down, Using these verses as an example, describe how God can get anyone's attention, if He so chooses?

[14.] v:15, The angel of the Lord said, So Elijah was acting under whose orders?

[15.] Question [14.] If we, as believers, seek wisdom and instruction from the media, why isn't it the same as Ahaziah seeking answers from Baal-zebub?

[16.] v:15 again, went down with him to the king, The captain learned a very important lesson. All the pomp, ceremony and flag waving is nice but, at the end of the day, who really calls the shots?

[17.] v:16, Thus says the Lord, What had Ahaziah also learned?

[18.] v:16 again, shall surely die, Suppose you were the king and had opportunity to do it over again. What would you do?

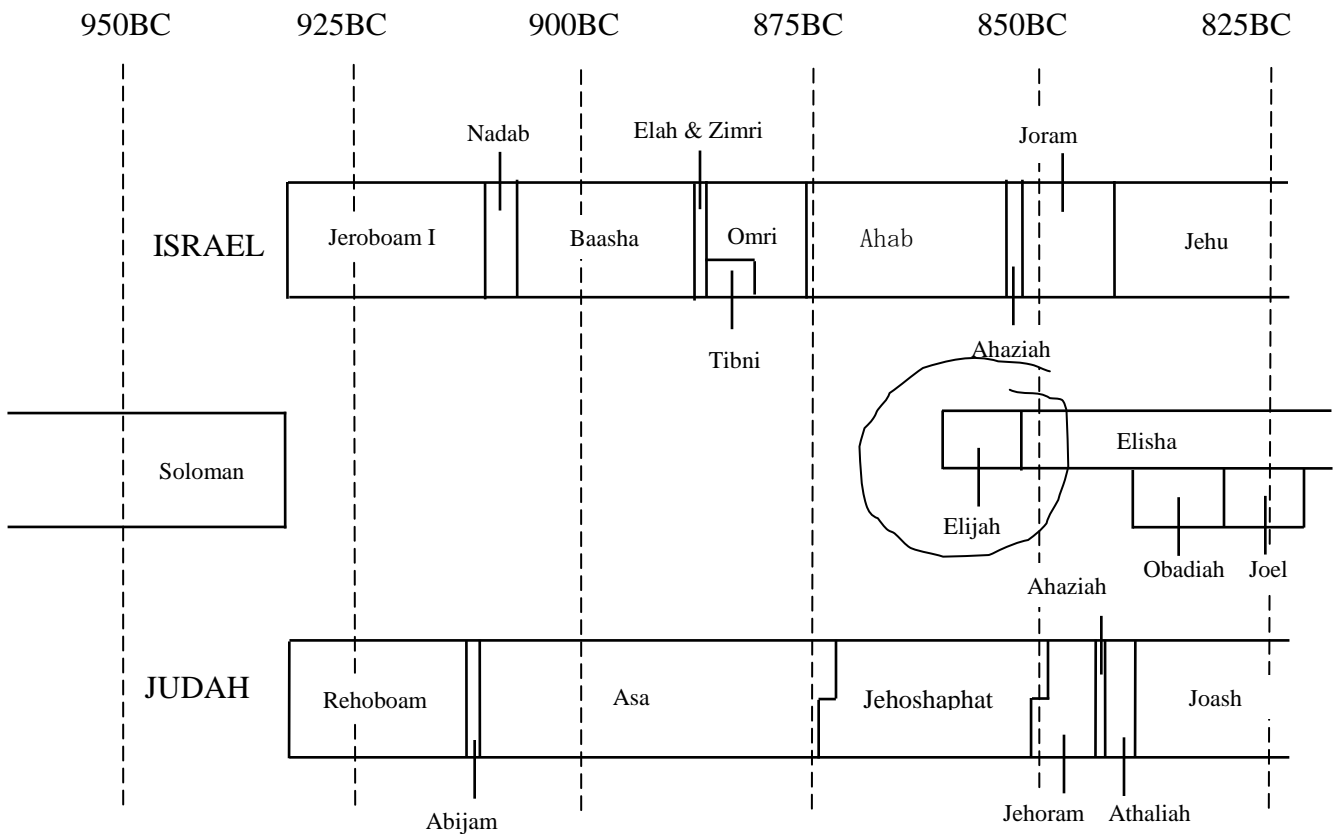
Elijah and Elisha

#11, Ahab's replacement – II Kings 1:1-18

17 So Ahaziah died according to the word of the Lord which Elijah had spoken. And because he had no son, Jehoram became king in his place in the second year of Jehoram the son of Jehoshaphat, king of Judah. 18 Now the rest of the acts of Ahaziah which he did, are they not written in the Book of the Chronicles of the Kings of Israel?

[19.] v:17, Jehoram, According to II Kings 3:1, Jehoram (Joram) was what relation to Ahaziah?

[20.] Looking at the MacArthur diagram (below), as Joram begins his reign, what happens to Elijah and Elisha?



MacArthur Study Bible

Elijah and Elisha

#11, Ahab's replacement – II Kings 1:1-18

NOTES